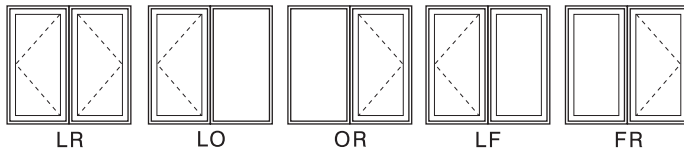
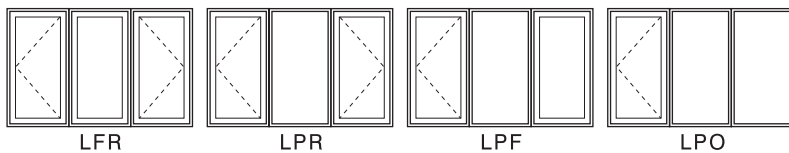
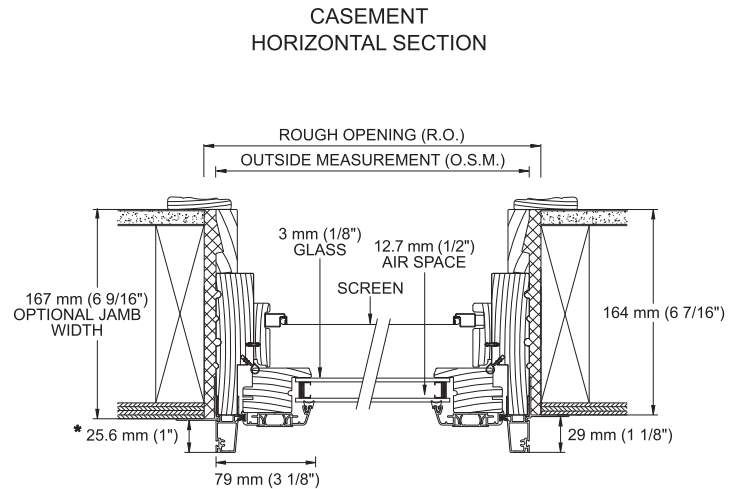


R.O. (Inches)	Width		16 1/2	20 1/2	24 3/8	30 1/4	32 1/4	36 1/4
	R.O. (mm)	O.S.M. (mm)	420	520	620	770	820	920
Height			400	500	600	750	800	900
20 1/2	520	500	✓	✓	✓	✓	✓	✓
24 3/8	620	600	✓	✓	✓	✓	✓	✓
32 1/4	820	800	✓	✓	✓	✓	✓	✓
36 1/4	920	900	✓	✓	✓	✓	✓	✓
40 1/8	1020	1000	✓	✓	✓	✓	✓	✓
48	1220	1200	✓	✓	✓	✓	✓	✓
53 7/8	1370	1350	✓	✓	✓	✓	✓	✓
59 7/8	1520	1500	✓	✓	✓	✓	✓	✓
71 5/8	1820	1800	✓	✓	✓	✓	✓	✓

- O.S.M. = Outside measurement
- R.O. = Rough opening
- Order units as viewed from outside
- Custom sizes available

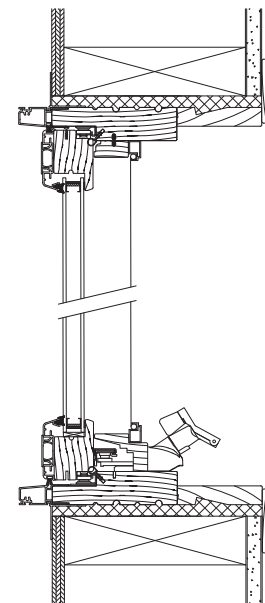


R.O. (Inches)	Width		32 1/4	32 1/4	40 1/8	48	59 7/8	63 3/4	71 5/8
	R.O. (mm)	O.S.M. (mm)	820	820	1020	1220	1520	1620	1820
Height			800	800	1000	1200	1500	1600	1800
32 1/4	820	800	✓	✓	✓	✓	✓	✓	✓
36 1/4	920	900	✓	✓	✓	✓	✓	✓	✓
40 1/8	1020	1000	✓	✓	✓	✓	✓	✓	✓
48	1220	1200	✓	✓	✓	✓	✓	✓	✓
53 7/8	1370	1350	✓	✓	✓	✓	✓	✓	✓
59 7/8	1520	1500	✓	✓	✓	✓	✓	✓	✓
71 5/8	1820	1800	✓	✓	✓	✓	✓	✓	✓



R.O. (Inches)	Width		48	59 7/8	71 5/8	89 3/8	95 1/4	107 1/8
	R.O. (mm)	O.S.M. (mm)	1220	1520	1820	2270	2420	2720
Height			1200	1500	1800	2250	2400	2700
32 1/4	820	800	✓	✓	✓	✓	✓	✓
36 1/4	920	900	✓	✓	✓	✓	✓	✓
40 1/8	1020	1000	✓	✓	✓	✓	✓	✓
48	1220	1200	✓	✓	✓	✓	✓	✓
53 7/8	1370	1350	✓	✓	✓	✓	✓	✓
59 7/8	1520	1500	✓	✓	✓	✓	✓	✓
71 5/8	1820	1800	✓	✓	✓	✓	✓	✓

CASEMENT VERTICAL SECTION



Based on equal split