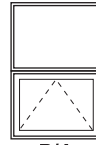




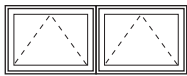
A



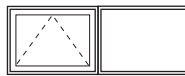
P/A

| R.O. (Inches) | R.O. (mm)   |        |        |        |        |      |        |      |      |
|---------------|-------------|--------|--------|--------|--------|------|--------|------|------|
|               | 20 1/2      | 24 3/8 | 30 1/4 | 36 1/4 | 40 1/8 | 48   | 59 7/8 |      |      |
|               | 520         | 620    | 770    | 920    | 1020   | 1220 | 1520   |      |      |
|               | O.S.M. (mm) |        | 500    | 600    | 750    | 900  | 1000   | 1200 | 1500 |
| 16 1/2        | 420         | 400    | ✓      | ✓      | ✓      | ✓    | ✓      | ✓    | ✓    |
| 20 1/2        | 520         | 500    | ✓      | ✓      | ✓      | ✓    | ✓      | ✓    | ✓    |
| 24 3/8        | 620         | 600    | ✓      | ✓      | ✓      | ✓    | ✓      | ✓    | ✓    |
| 32 1/4        | 820         | 800    | ✓      | ✓      | ✓      | ✓    | ✓      | ✓    | ✓    |
| 36 1/4        | 920         | 900    | ✓      | ✓      | ✓      | ✓    | ✓      | ✓    | ✓    |
| 40 1/8        | 1020        | 1000   | ✓      | ✓      | ✓      | ✓    | ✓      | ✓    | ✓    |
| 48            | 1220        | 1200   | ✓      | ✓      | ✓      | ✓    | ✓      | ✓    | N/A  |

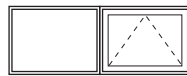
| R.O. (Inches) | R.O. (mm)   |        |        |        |        |        |      |        |      |      |
|---------------|-------------|--------|--------|--------|--------|--------|------|--------|------|------|
|               | 20 1/2      | 24 3/8 | 30 1/4 | 32 1/4 | 36 1/4 | 40 1/8 | 48   | 59 7/8 |      |      |
|               | 520         | 620    | 770    | 820    | 920    | 1020   | 1220 | 1520   |      |      |
|               | O.S.M. (mm) |        | 500    | 600    | 750    | 800    | 900  | 1000   | 1200 | 1500 |
| 32 1/4        | 820         | 800    | ✓      | ✓      | ✓      | ✓      | ✓    | ✓      | ✓    | ✓    |
| 36 1/4        | 920         | 900    | ✓      | ✓      | ✓      | ✓      | ✓    | ✓      | ✓    | ✓    |
| 40 1/8        | 1020        | 1000   | ✓      | ✓      | ✓      | ✓      | ✓    | ✓      | ✓    | ✓    |
| 48            | 1220        | 1200   | ✓      | ✓      | ✓      | ✓      | ✓    | ✓      | ✓    | ✓    |
| 59 7/8        | 1520        | 1500   | ✓      | ✓      | ✓      | ✓      | ✓    | ✓      | ✓    | ✓    |
| 71 5/8        | 1820        | 1800   | ✓      | ✓      | ✓      | ✓      | ✓    | ✓      | ✓    | ✓    |
| 83 1/2        | 2120        | 2100   | ✓      | ✓      | ✓      | ✓      | ✓    | ✓      | ✓    | ✓    |
| 95 1/4        | 2420        | 2400   | ✓      | ✓      | ✓      | ✓      | ✓    | ✓      | ✓    | ✓    |



AA

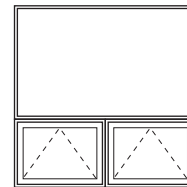


AO

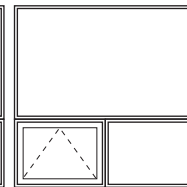


OA

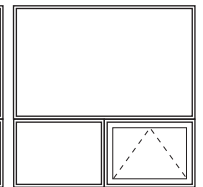
| R.O. (Inches) | R.O. (mm)   |      |        |        |        |        |         |         |      |      |
|---------------|-------------|------|--------|--------|--------|--------|---------|---------|------|------|
|               | 40 1/8      | 48   | 59 7/8 | 71 5/8 | 79 1/2 | 95 1/4 | 107 1/8 | 118 7/8 |      |      |
|               | 1020        | 1220 | 1520   | 1820   | 2020   | 2420   | 2720    | 3020    |      |      |
|               | O.S.M. (mm) |      | 1000   | 1200   | 1500   | 1800   | 2000    | 2400    | 2700 | 3000 |
| 20 1/2        | 520         | 500  | ✓      | ✓      | ✓      | ✓      | ✓       | ✓       | ✓    | ✓    |
| 24 3/8        | 620         | 600  | ✓      | ✓      | ✓      | ✓      | ✓       | ✓       | ✓    | ✓    |
| 32 1/4        | 820         | 800  | ✓      | ✓      | ✓      | ✓      | ✓       | ✓       | ✓    | ✓    |
| 36 1/4        | 920         | 900  | ✓      | ✓      | ✓      | ✓      | ✓       | ✓       | ✓    | ✓    |
| 40 1/8        | 1020        | 1000 | ✓      | ✓      | ✓      | ✓      | ✓       | ✓       | ✓    | ✓    |
| 48            | 1220        | 1200 | ✓      | ✓      | ✓      | ✓      | ✓       | ✓       | N/A  | N/A  |



P/AA



P/AO

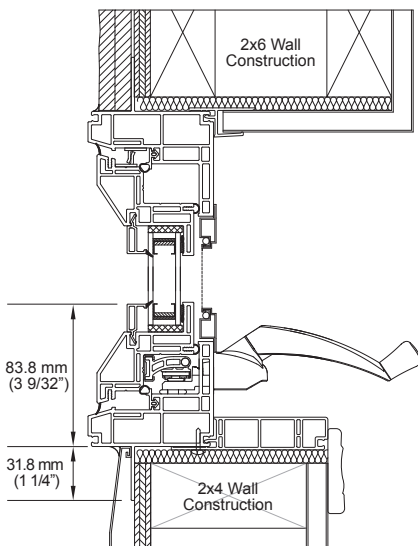


P/OA

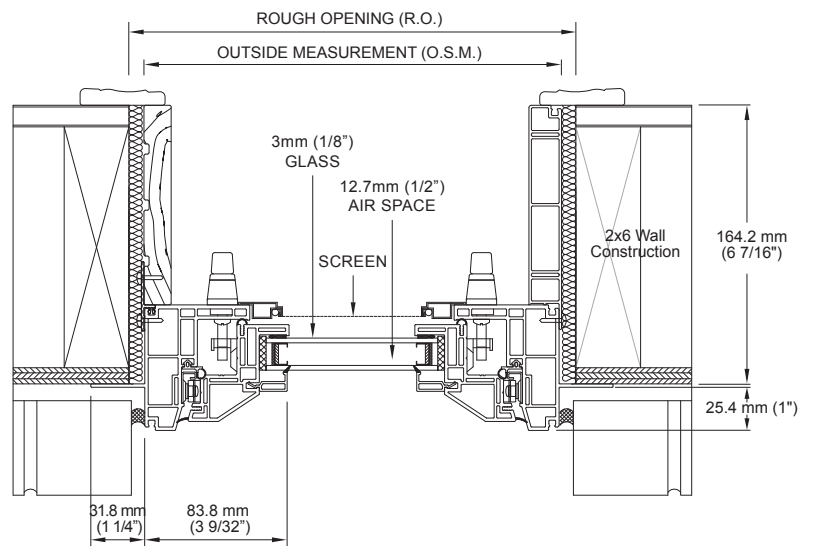
| R.O. (Inches) | R.O. (mm)   |      |        |        |      |      |
|---------------|-------------|------|--------|--------|------|------|
|               | 40 1/8      | 48   | 59 7/8 | 71 5/8 |      |      |
|               | 1020        | 1220 | 1520   | 1820   |      |      |
|               | O.S.M. (mm) |      | 1000   | 1200   | 1500 | 1800 |
| 32 1/4        | 820         | 800  | ✓      | ✓      | ✓    | ✓    |
| 36 1/4        | 920         | 900  | ✓      | ✓      | ✓    | ✓    |
| 40 1/8        | 1020        | 1000 | ✓      | ✓      | ✓    | ✓    |
| 48            | 1220        | 1200 | ✓      | ✓      | ✓    | ✓    |
| 59 7/8        | 1520        | 1500 | ✓      | ✓      | ✓    | ✓    |
| 71 5/8        | 1820        | 1800 | ✓      | ✓      | ✓    | ✓    |
| 83 1/2        | 2120        | 2100 | ✓      | ✓      | ✓    | ✓    |
| 95 1/4        | 2420        | 2400 | ✓      | ✓      | ✓    | ✓    |

O.S.M. = Outside measurement  
R.O. = Rough opening

Order units as viewed from outside.  
Custom sizes available.



260 AWNING VERTICAL SECTION



260 AWNING HORIZONTAL SECTION