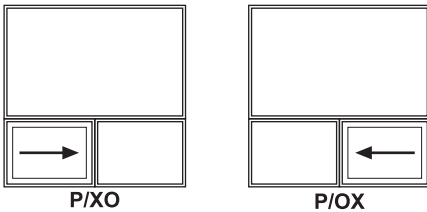


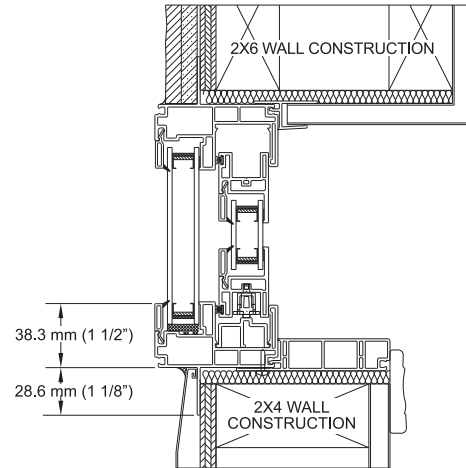
R.O. (Inches)	R.O. (mm)							
	24 3/8	30 1/4	36 1/4	40 1/8	48	59 7/8	71 5/8	
	620	770	920	1020	1220	1520	1820	
	O.S.M. (mm)	600	750	900	1000	1200	1500	1800
12 5/8	320	300	✓	✓	✓	✓	✓	✓
20 1/2	520	500	✓	✓	✓	✓	✓	✓
24 3/8	620	600	✓	✓	✓	✓	✓	✓
30 1/4	770	750	✓	✓	✓	✓	✓	✓
32 1/4	820	800	✓	✓	✓	✓	✓	✓
36 1/4	920	900	✓	✓	✓	✓	✓	✓
40 1/8	1020	1000	N/A	✓	✓	✓	✓	✓
48	1220	1200	N/A	N/A	✓	✓	✓	✓
59 7/8	1520	1500	N/A	N/A	N/A	✓	✓	✓

O.S.M. = Outside measurement  
 R.O. = Rough opening

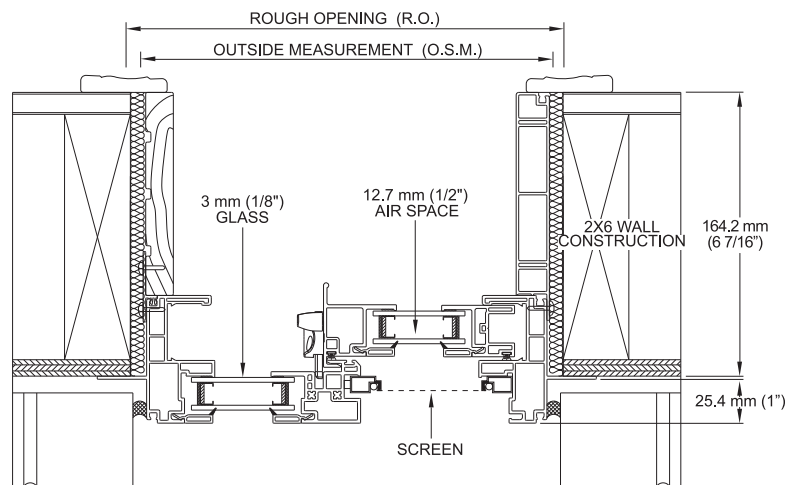
Order units as viewed from outside.  
 Custom sizes available.



R.O. (Inches)	R.O. (mm)						
	30 1/4	36 1/4	40 1/8	48	59 7/8	71 5/8	
	770	920	1020	1220	1520	1820	
	O.S.M. (mm)	750	900	1000	1200	1500	1800
36 1/4	920	900	✓	✓	✓	✓	✓
40 1/8	1020	1000	✓	✓	✓	✓	✓
48	1220	1200	✓	✓	✓	✓	✓
59 7/8	1520	1500	✓	✓	✓	✓	✓
71 5/8	1820	1800	✓	✓	✓	✓	✓
83 1/2	2120	2100	✓	✓	✓	✓	✓
95 1/4	2420	2400	✓	✓	✓	✓	✓



185 SLIDER VERTICAL SECTION



185 SLIDER HORIZONTAL SECTION